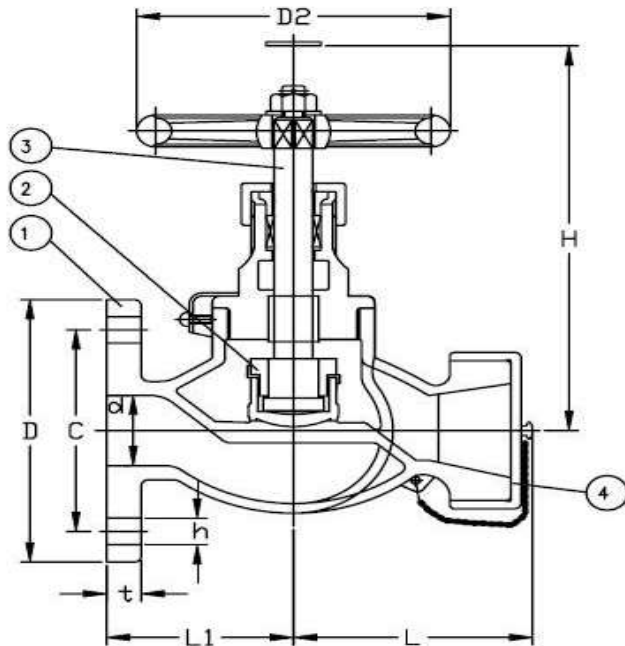


SERIES F7334A-JIS 5K&10K

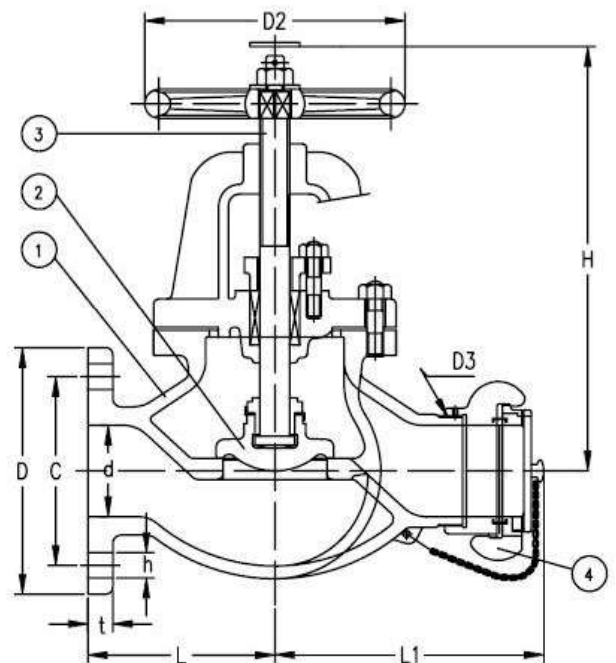
Bronze Hose Globe Valve

Manufactured in accordance to JIS F7400

Flanges as per JIS B2220-5K&10K



Screwed Bonnet 15A-40A



Bolted Bonnet 50A-65A

Part Nr.	Material	Code
1- Body	Bronze	BC6
2- Disc	Bronze	BC6
3- Stem	Brass	C3771BD
4- Coupling	Bronze	BC6

Nominal Pressure		5K	10K
Hydraulic	Body	12kg	24kg
Inspection	Seat	8kg	12kg

Type	Size	L	L1	D	C	NO.	h	t	H	D2	KG
F7334A 5K	15	73	50	80	60	4	12	9	130	80	2.51
	25	78	60	95	75	4	12	10	160	125	3.55
	40	128	80	120	95	4	15	12	190	140	6.26
	50	160	105	130	105	4	15	14	255	160	12.90
F7334A 10K	15	73	55	95	70	4	15	12	130	80	2.76
	25	73	65	125	90	4	19	14	160	125	4.2
	40	133	90	140	105	4	19	16	190	140	8.4
	50	165	110	155	120	4	19	16	270	160	12.90
	65	200	135	175	140	4	19	19	295	200	23.50